

GV-IO 12-Out Card V3

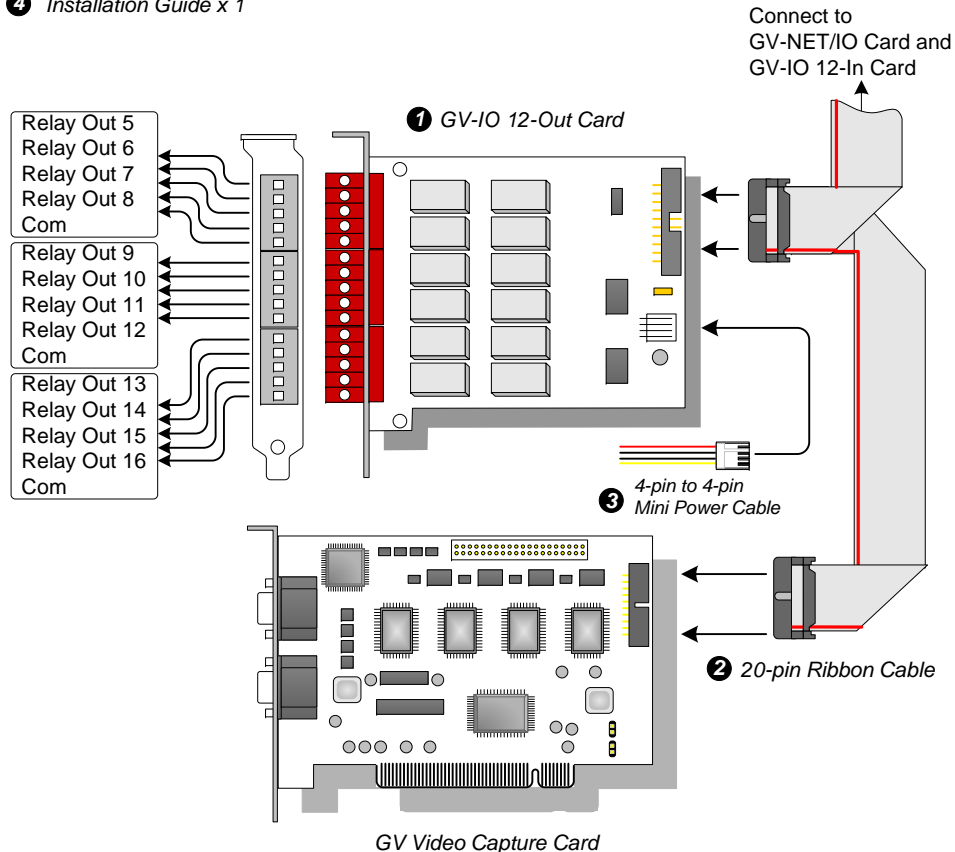
With 12 relay outputs, the GV-IO 12-Out Card is designed to work with GV-NET/IO Card to provide an interface for your external devices such as alarms and gates.

Installation

Insert the GV-IO 12-Out Card to an empty card slot. Connect the 20-Pin Ribbon Cable to the GV Video Capture Card, the GV-IO 12-In Card, and the GV-NET/IO Card as shown below.

Packing List

- ① GV-IO 12-Out Card x 1
- ② 20-pin Ribbon Cable with 4 Connectors) x 1
- ③ 4-Pin to 4-Pin Mini Power Cable x 1
- ④ Installation Guide x 1



Specifications

| | | | |
|--------------------------|--|--------------------------------------|------------|
| OS Supported | 32-bit | Windows XP / Vista / 7 / Server 2008 | |
| | 64-bit | Windows 7 / Server 2008 | |
| Output | Relay Output | 12 | |
| | Relay Status | Normal Open | |
| | Relay Capacitance | USB Connection | 30V DC, 3A |
| RS-232 Connection | | 125 / 250V AC, 3A | |
| DC IN | DC 5V, 1A | | |
| Environmental Conditions | 0~50 degree C / 32~122 Degree F 5%~95% (non-condensing) | | |
| Compatible Card Models | All GV Video Capture Cards | | |
| Dimensions (W x H) | 120 x 99 mm / 4.72 x 3.9 in | | |

Note:

1. To prevent the noise interference in I/O operation, tightly screw the GV-IO 12-Out Card to the PC case.
2. The GV-IO 12-Out Card must work with the GV-NET/IO Card together.